

「POWER
TOOLS &
ACCESSORIES」

WALLPRO® MULTI-TOOL SKIN CORDLESS 18V

Wallpro's Cordless Multi Tool Skin 18V is ready to take on a multitude of jobs including cutting, sanding and scraping of different materials. It features a 3 degree oscillating angle so you can cut faster, a slimline body for a comfortable grip and a tool free lever lock for quick release and reloading of accessories. The tool skin includes a scraper, blade, a sanding pad and sanding paper to get started. Compatible with Wallpro® 18V Lithium Ion Battery Pack (sold separately) and Makita® 18V Battery Pack.



MTC-200

ABC-123

Code

MTC-200



Barcode

9315778003742



Description

Cordless Multi Tool Skin



Ctn

8



3 Degree Oscillating Angle



Built-in LED Work Light



No Load Speed 5000RPM-18000RPM



Variable 6 Speed Dial

PAGE 112

Parts Diagram Available



Battery Compatibility



Tool free lever lock



Multi-purpose functions



Slimline body

Makita® is a registered trademark of Makita Corporation. Wallpro Power Tools is a registered trademark of Wallboard Tool Co. Pty Ltd.

POWER MIXING

WALLPRO® SUPA MIXER™

Wallpro's® Supa Mixer packs some punch but is lightweight and ergonomically designed for double handed operation. The variable speed function combines with a lock-on button for greater speed control and spill reduction.



PM-600

ABC-123

Code

PM-600



Barcode

9315778001854



Size

1200W



Ctn

2



Powerful 1200 Watt Motor

PAGE 113

Parts Diagram Available



Comfortable Grip



Variable Speed



Lock-on button allows greater control



M14 x 140mm paddle for high volume mixing



Space saving - disassembles for storage

WALLPRO® CORDLESS 18V BRUSHLESS MIXER SKIN

Introducing Wallpro's first Cordless Mixer Skin for Brushless Mixing! A great portable mixer with all your favourite features including a soft dual grip handle, downforce paddle for increased mixing efficiency and a 6 variable speed dial for fine adjustment.



ABC-123
Code
PMC-200

Barcode
9315778003155

Description
Cordless 18V Brushless Mixer Skin Wallpro

Ctn
2



2 Speed
0-450 RPM
0-720 RPM

Skin & Paddle
4.3kgs

Portable Mixer

Safety Lock Switch

PAGE 115 Parts Diagram Available

WALLPRO® POWERMIX HD 1600W

Wallpro's Heavy Duty PowerMix 1600 is ready to do some heavy mixing with a powerful 1600W motor. It includes a large 160mm downforce mixing paddle for increased efficiency.

ABC-123
Code
PM-1600

Barcode
9315778003278

Description
Power Mixer HD 1600W Wallpro

Ctn
2

Variable Speed
180-480 RPM
300-750 RPM

Lightweight
3.7kgs

Soft Start Motor

Robust 1600 Watt Motor

PAGE 114 Parts Diagram Available



PLASTERBOARD SANDING

WALLPRO® POWER SANDER

The Wallpro® Power Sander is a heavy duty plasterboard sander designed with the professional in mind. It has great balance and comfortable grips and when operated in conjunction with a heavy duty dust extractor will deliver a virtually dust free sanding environment.



- Advanced soft start motor
- Variable Speed 650-1600RPM control
- Unique full movement swivel head - no inefficient screw adjustment
- Includes 4m long vacuum hose and Hook & Loop foam adaptor
- Universal connection to industrial dust extractors
- Standard 225mm diameter disc area - suits most Super Pads
- Comfortable cushioned grip
- Full range of spare parts available from your Wallpro distributor



ABC-123 Code	Barcode	Description	Size	Ctn
PS-1000	9315778997690	Power Sander 650-1600RPM	550W	1
PSV-225	9315778998451	Hook & Loop Foam Adaptor for PS-1000	225mm	5
PS-BAG	9315778998468	Power Sander Carry Bag for PS-1000 & PC-7800	61x5x32cm	1
PS-79		Power Sander Handle for PS-1000		1



■ No screw adjustments



■ Hook & Loop foam adapter



■ Cushioned grip



■ Soft start motor



WALLPRO® EXTENDA SANDER™

Wallpro's® Extenda Sander™ has many great design features to suit the professional tradesperson. The extra reach is created by the extension piece assisting the user to hit the high surfaces with little fuss. The sander also has the ability to reduce weight at the head via the variable suction control. This economical sander is packed with functional features but more importantly, its ability to deliver a smooth surface finish is paramount with its solid hook and loop backing providing a firm even sanding platform.



Variable Speed

ABC-123
Code

PS-600



Barcode

9315778001847



Description

Wallpro® Extenda Sander



Size

1200mm - 1650mm



Ctn

2



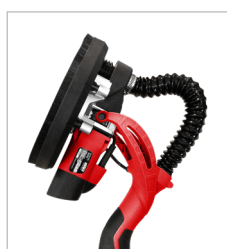
Powerful 600 Watt Motor



Full Movement Swivel Head



Parts Diagram Available



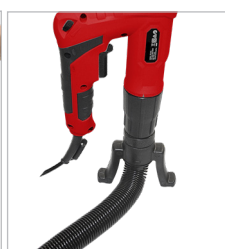
■ Flexible head movement



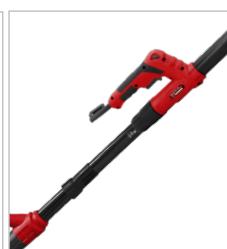
■ Half moon door



■ Solid hook & loop adaptor



■ Hose protection



■ Extends from 1200mm to 1650mm

WALLPRO® POWER VACUUM

Wallpro's® Power Vacuum is an economical but robust heavy duty dust extractor designed for use with the Wallpro Power Sander.



Stainless Steel Drum



Powerful 1400 Watt Motor



Versatile Wet & Dry Vacuum



30 Litre Capacity



Parts Diagram Available



- Powerful 1400 watt motor
- Long lasting stainless steel drum
- Large 30 litre capacity
- Includes reusable cloth bag
- Operates as a wet/dry all purpose vacuum
- Includes accessories and floor tools kit
- Automatically switches on and shuts off when connected to power sanders
- Full range of spare parts available from your Wallpro distributor

ABC-123
Code

DE-30L



Barcode

9315778997720



Size

1400W



■ Sander power point and on/off switches



■ Floor accessories included

VACUUM ACCESSORIES

ABC-123
Code

DE-30L-60



Barcode

9315778999526

9315778994668

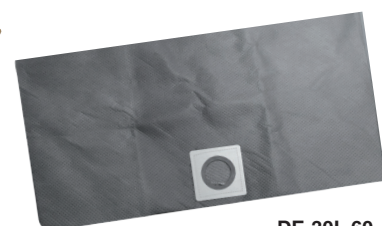


Description

Power Vac Fabric Dust Bag for DE-30L

Dust Extractor Paper Bag for DE-36 & DE-30L

DE-36-423



DE-30L-60

WALLPRO® M CLASS DUST EXTRACTOR

Wallpro's® DE-38M Dust Extractor is approved for Dust Class M (medium risk dust). With an innovative push and clean filtration system it protects against the dangers of fine dust particles.

The 38 Litre dust extractor has advanced suction performance from the 1500 watt high efficiency single fan motor that provides reliable and efficient performance at an economical price to meet the tough requirements of extracting harmful dust particles on site. The coated stainless steel drum provides robust but lightweight maneuverability, perfect for long periods of use.

The crush resistant, anti-static hose and automatic stop/start function protects the user and allows for superior control when connected to a power tool. With many other great features like variable suction power dial, washable class M integrated filter cartridge, filter cleaning button, air flow sensor and on-board accessory storage this vacuum sets the standard for quality dust extraction.

ABC-123 Code	Barcode	Size	DE-38M
DE-38M	9315778002585	1500W	



WATCH ON



Stainless Steel Drum



Powerful 1500 Watt Motor



Advanced Soft Start Motor



38 Litre Capacity



Parts Diagram Available

VACUUM ACCESSORIES

ABC-123 Code	Barcode	Description
DE-138M	9315778002615	Fine Filter Bag Class M Pack 5 Wallpro®
DE-238M	9315778002592	Cartridge Filter Class M Wallpro®
DE-338M	9315778002622	Plastic Disposal Bag Class M Pack 5 Wallpro®



■ Floor accessories included

COMBOS

POWER TOOLS WPD-2 COMBO

The trade quality sanding solution that includes the popular Wallpro® Sander and Vacuum.

Combo Includes:

- 1 x Wallpro® Power Sander (PS-1000)
- 1 x Wallpro® Power Vacuum (DE-30L)
- 1 x Wallboard Super Pad 5pkt
- 1 x Power Sander Carry Bag (PS-BAG)
- 1 x Paper Dust Bag (DE-36-423)



ABC-123

Code

WPD-2

?

Description

Wallpro® Power Tools Deal



Reduce On-Site Dust



Power Sanding

POWER TOOLS WPD-7 COMBO

Wallboard's premium power sanding combo featuring the Wallpro® Power Vacuum and the high performance Wallpro® Extenda Sander.



Reduce On-Site Dust



Power Sanding



ABC-123
Code
WPD-7



Description

Power Tools Deal

Combo Includes:

- 1 x Wallpro® Extenda Sander™ with case (PS-600)
- 1 x Wallpro® Vacuum (DE-30L)
- 1 x Wallboard 10pkt Ceramic 225mm Mesh

POWER TOOLS WPD-8 COMBO

The trade quality sanding solution that includes the popular Wallpro® Sander and M Class Vacuum.



Reduce On-Site Dust



Power Sanding



ABC-123
Code
WPD-8



Description

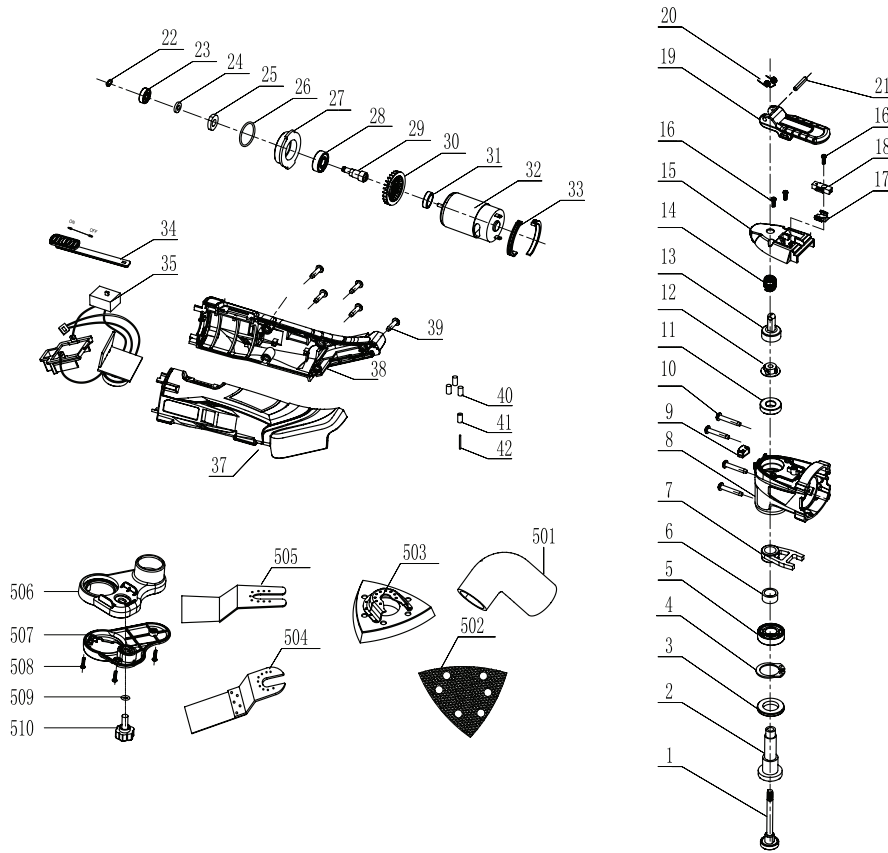
Power Tools Combo

Combo Includes:

- 1 x Wallpro® Power Sander (PS-1000)
- 1 x Wallpro® Class M Dust Extractor (DE-38M)
- 1 x Wallboard Super Pad 180g 5pkt
- 1 x Power Sander Carry Bag (PS-BAG)

WALLPRO® MULTI TOOL SKIN CORDLESS 18V MTC-200

Spare Parts Diagram



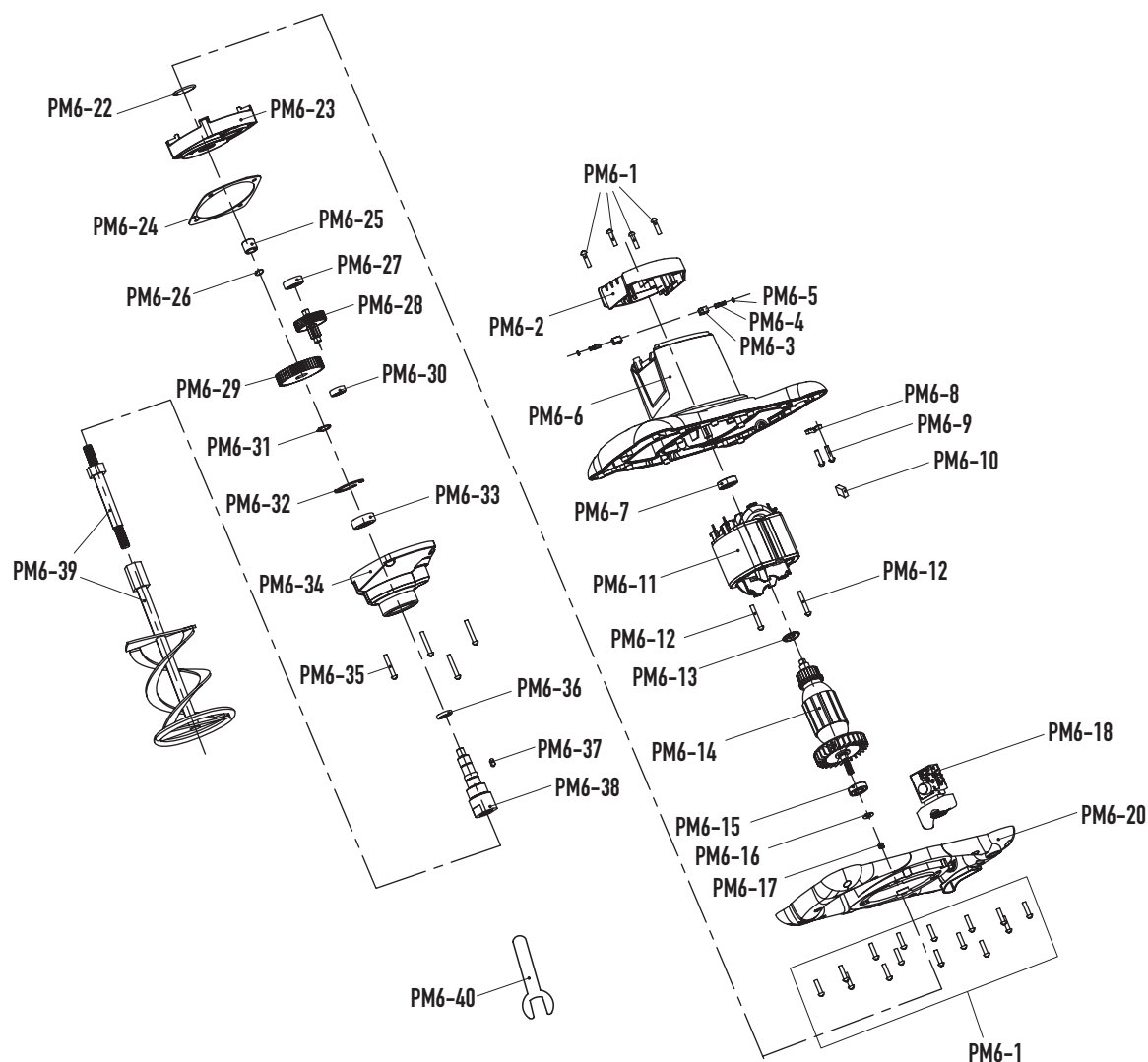
■ WALLPRO® MULTI TOOL SKIN CORDLESS 18V SPARE PARTS

Code	Description	Code	Description
MTC2-1	Draw-in Bolt	MTC2-28	Bearing 608Z2
MTC2-2	Output Shaft	MTC2-29	Eccentric Shaft
MTC2-3	Sealing Ring	MTC2-30	Fan Blade
MTC2-4	Washer	MTC2-31	Rubber Sleeve
MTC2-5	Bearing 6001Z2	MTC2-32	Motor
MTC2-6	Steel Sleeve	MTC2-33	Damping Ring
MTC2-7	Fork	MTC2-34	Switch Button
MTC2-8	Gear Box	MTC2-35	Speed Controller Assy
MTC2-9	Light Cover	MTC2-37	Left housing
MTC2-10	Screw ST4*25-F	MTC2-38	Right housing
MTC2-11	Bearing 6900Z2	MTC2-39	Screw
MTC2-12	Nut	MTC2-40	Rubber Column
MTC2-13	Lock Pole	MTC2-41	Rubber Wheel
MTC2-14	Spring	MTC2-42	Round Pin
MTC2-15	Gear Box Cover	MTC2-43	Oil
MTC2-16	Screw M3*12	MTC2-44	Heat Shrink Tube
MTC2-17	Lock Sheet	MTC2-501	Connector
MTC2-18	Plastic Base	MTC2-502	Sanding Paper
MTC2-19	Trigger	MTC2-503	Sanding Base
MTC2-20	Spring	MTC2-504	Blade
MTC2-21	Round Pin	MTC2-505	Scraper
MTC2-22	Washer	MTC2-506	Vacuum Tube Upper Cover
MTC2-23	Bearing 625	MTC2-507	Vacuum Tube Lower Cover
MTC2-24	Plastic Washer	MTC2-508	Screw ST3*8
MTC2-25	Balance Block	MTC2-509	O ring
MTC2-26	O Ring	MTC2-510	Screw Bolt
MTC2-27	Middle Cover		

*Use only genuine Wallpro® parts on Wallpro® brand power tools. Using other brand parts on Wallpro® tools may affect the operation of the product and void warranty. Repairs undertaken by parties other than a registered repair centre may void the product warranty. Please contact Wallboard Tools Customer Service to locate your nearest repair centre.

WALLPRO® SUPA MIXER PM-600

Spare Parts Diagram



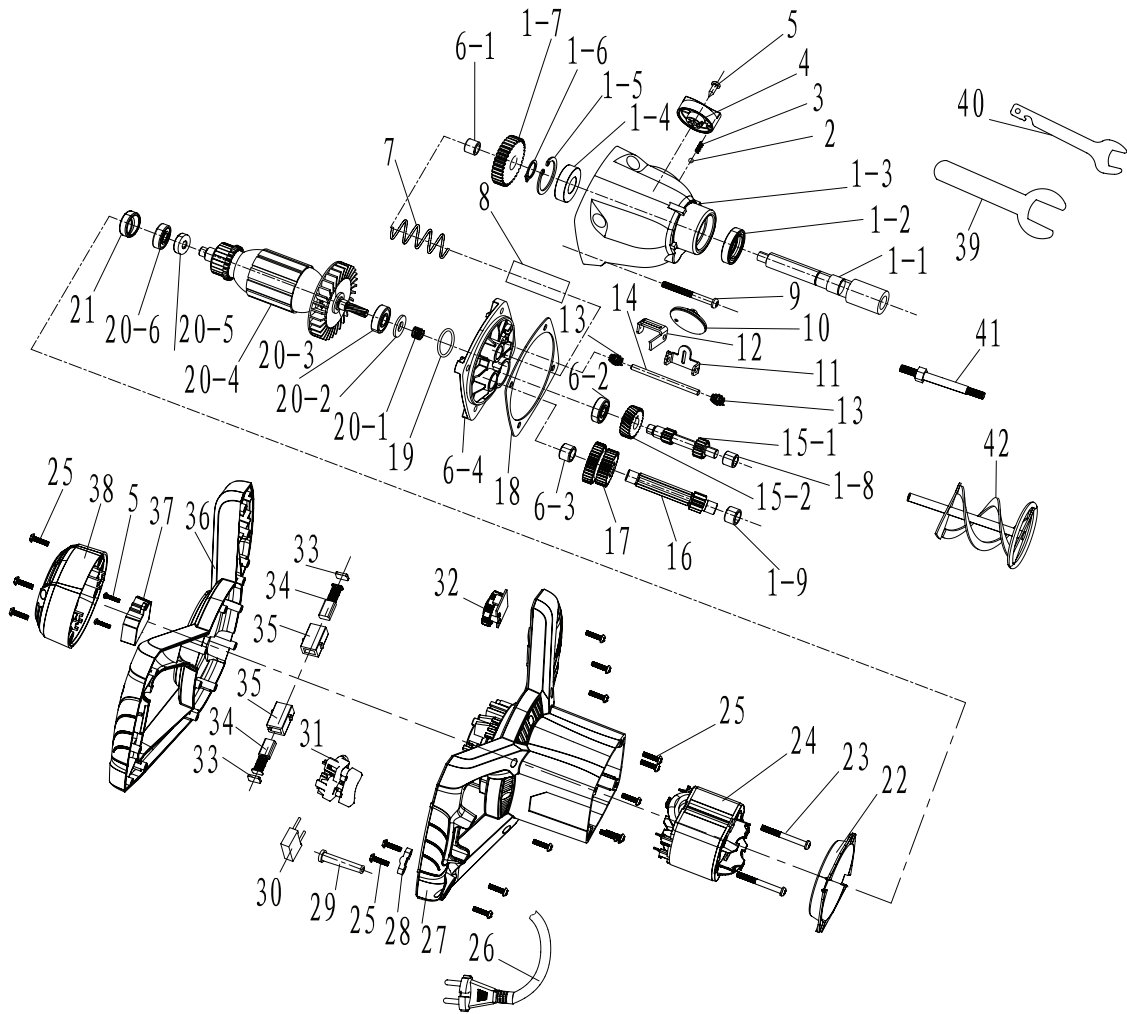
■ WALLPRO® SUPA MIXER SPARE PARTS

Code	Description	Code	Description
PM6-1	Screw	PM6-22	O-ring washer
PM6-2	Back cover	PM6-23	Middle cover
PM6-3	Brush holder	PM6-24	Paper washer
PM6-4	Carbon brushes	PM6-25	Needle bearing
PM6-5	Carbon brushes cap	PM6-26	Circlip
PM6-6	Housing	PM6-27	Bearing (627)
PM6-7	Bearing (608)	PM6-28	Secondary Gears
PM6-8	Cable plate	PM6-29	Large gears
PM6-9	Screw	PM6-30	Bearing (607)
PM6-10	Capacity	PM6-31	Elastic collar 15
PM6-11	Stator	PM6-32	Elastic collar 32
PM6-12	Screw	PM6-33	Bearing (6002)
PM6-13	Rotor insulator	PM6-34	Gearbox
PM6-14	Rotor	PM6-35	Screw
PM6-15	Bearing	PM6-36	Oil seal
PM6-16	Wool washer	PM6-37	Key
PM6-17	Spring	PM6-38	Output shaft
PM6-18	Switch	PM6-39	Supa Mixer Blade
PM6-20	Handle cover	PM6-40	Spanner

*Use only genuine Wallpro® parts on Wallpro® brand power tools. Using other brand parts on Wallpro® tools may affect the operation of the product and void warranty. Repairs undertaken by parties other than a registered repair centre may void the product warranty. Please contact Wallboard Tools Customer Service to locate your nearest repair centre.

WALLPRO® POWER MIXER HD 1600W PM-1600

Spare Parts Diagram



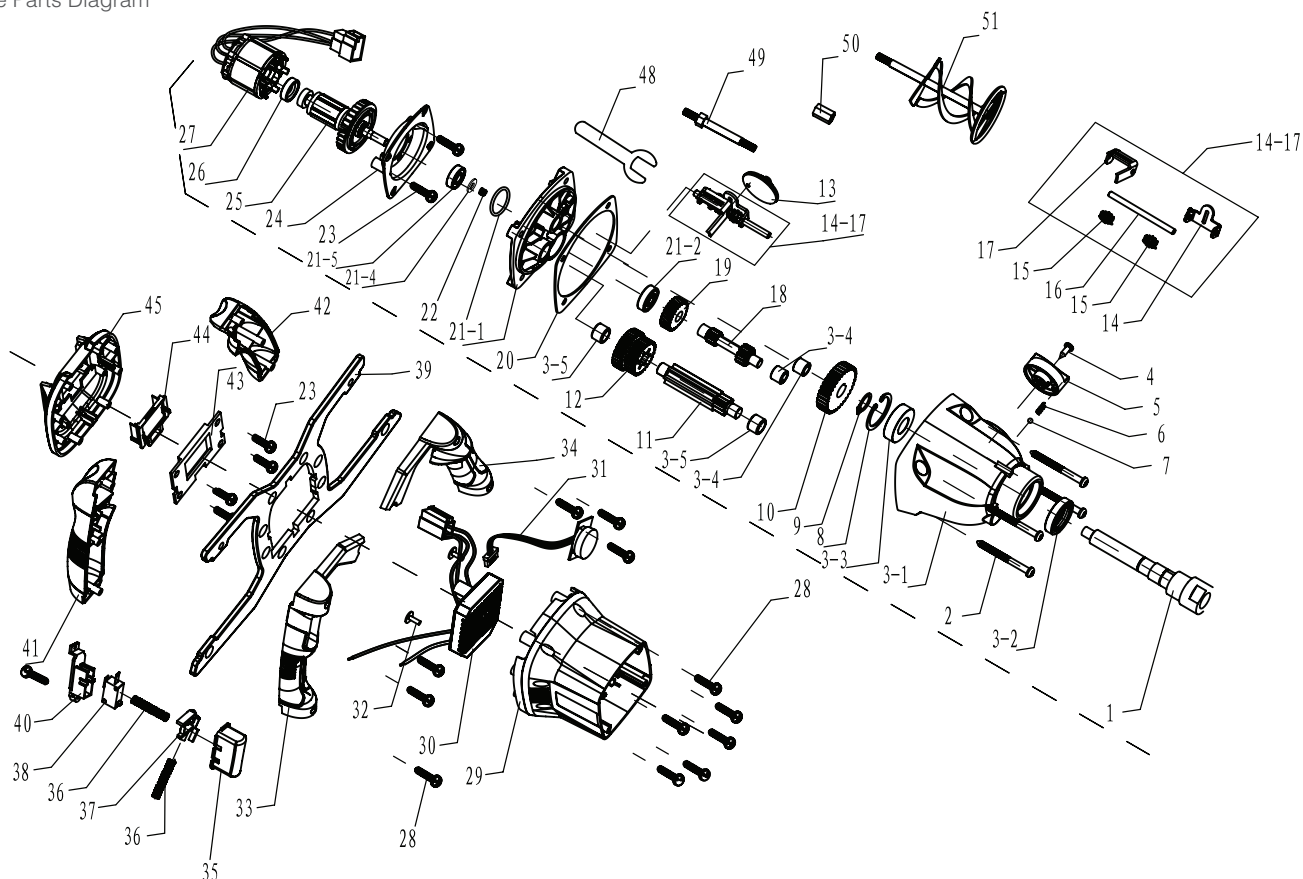
WALLPRO® POWER MIXER HD 1600W SPARE PARTS

Code	Description	Code	Description
PM16-1	Gear Box	PM16-22	Stator Seal
PM16-2	Steel Ball	PM16-23	Screw ST4.8x55
PM16-3	Spring	PM16-24	Stator
PM16-4	Shift Knob	PM16-25	Screw ST4x16-F
PM16-5	Screw ST3x12	PM16-26	Cable
PM16-6	Middle Cover	PM16-27	Housing
PM16-7	Spring	PM16-28	Cable Press Plate
PM16-8	Oil Filler Pipe	PM16-29	Cable Sleeve
PM16-9	Screw ST5x35	PM16-30	Capacitor
PM16-10	Shift Dial	PM16-31	Switch
PM16-11	Shift Fork A	PM16-32	Potentiometer
PM16-12	Shift Fork B	PM16-33	Brush Cap
PM16-13	Spring	PM16-34	Carbon Brush
PM16-14	Shift Guide	PM16-35	Brush Holder
PM16-15	Main Driving	PM16-36	Handle Cover
PM16-16	Assistant Driving Axle	PM16-37	Constant Speed Device
PM16-17	Duplicate Gear	PM16-38	Back Cover
PM16-18	Paper Mat	PM16-39	Wrench
PM16-19	O Ring	PM16-40	Wrench
PM16-20	Rotor	PM16-41	Mixing Paddle
PM16-21	Bearing Sleeve 608	PM16-42	Mixing Paddle Head

*Use only genuine Wallpro® parts on Wallpro® brand power tools. Using other brand parts on Wallpro® tools may affect the operation of the product and void warranty. Repairs undertaken by parties other than a registered repair centre may void the product warranty. Please contact Wallboard Tools Customer Service to locate your nearest repair centre.

WALLPRO® CORDLESS 18V BRUSHLESS MIXER SKIN PMC-200

Spare Parts Diagram



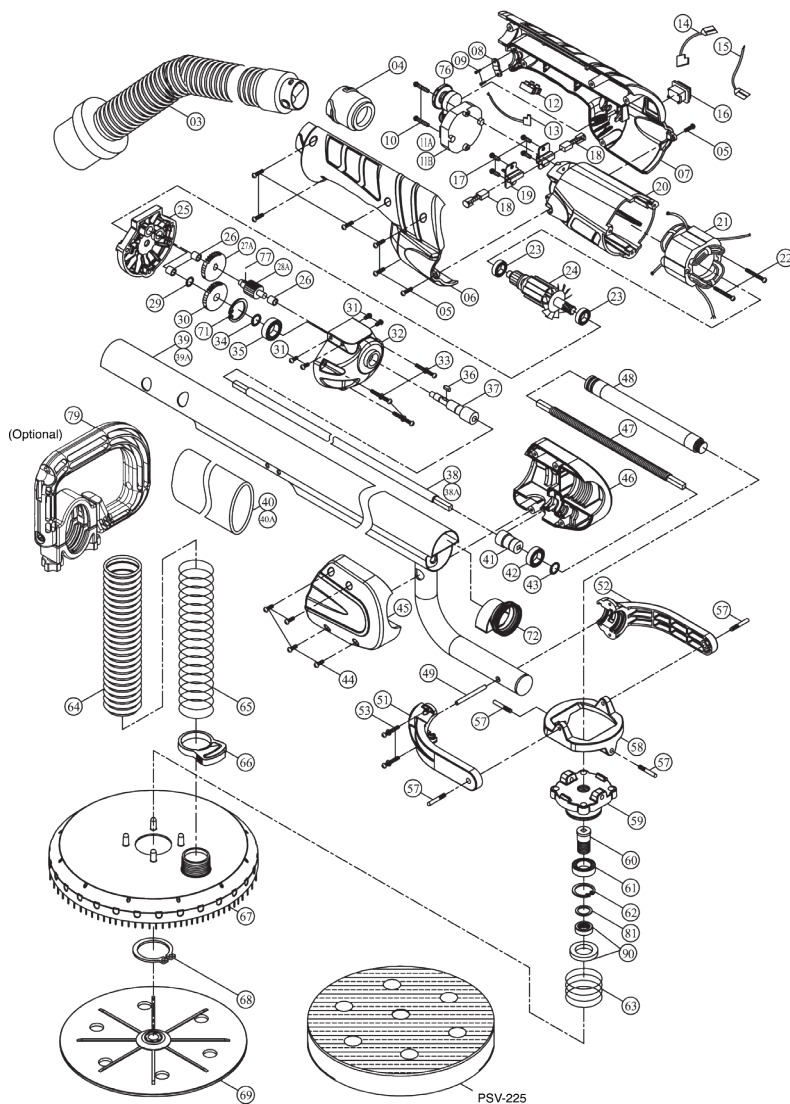
WALLPRO® CORDLESS 18V BRUSHLESS MIXER SKIN SPARE PARTS

Code	Description	Code	Description
PMC2-1	Output Shaft	PMC2-23	Screw ST4x12-F
PMC2-2	Screw ST5x50	PMC2-24	Fan Shroud
PMC2-3	Gear Box	PMC2-25	Rotor
PMC2-4	Screw ST3x12	PMC2-26	Bearing Sleeve 607
PMC2-5	Shift Knob	PMC2-27	Stator
PMC2-6	Spring	PMC2-28	Screw ST4x16-F
PMC2-7	Steel Ball	PMC2-29	Housing
PMC2-8	Shaft Ring	PMC2-30	18V Brushless Controller
PMC2-9	shaft ring	PMC2-31	Speed Controller
PMC2-10	Big Gear	PMC2-32	Screw ST4x12
PMC2-11	Counter Drive Shaft	PMC2-33	Right Lower Handle
PMC2-12	Two Gang Gear	PMC2-34	Left Lower Handle
PMC2-13	Shift Dial	PMC2-35	Switch Button
PMC2-14	Shift Fork A	PMC2-36	Spring
PMC2-15	Shift Fork Spring	PMC2-37	Lock on Button
PMC2-16	Gear Guide	PMC2-38	Switch
PMC2-17	Shift Fork B	PMC2-39	Handle Steel Frame
PMC2-18	Main Driving Shaft	PMC2-40	Switch Base
PMC2-19	Diagonal Gear	PMC2-41	Right Upper Handle
PMC2-20	Seal Pad	PMC2-42	Left Upper Handle
PMC2-21	Middle Cover Assembly	PMC2-43	Contact Plate Holder Press Plate
PMC2-21-1	Middle Cover	PMC2-44	Battery Pack Plug-in
PMC2-21-2	O Ring	PMC2-45	Back Cover
PMC2-21-3	Rotor Spring	PMC2-48	Wrench
PMC2-21-4	Seal Pad	PMC2-49	Paddle
PMC2-21-5	Bearing 609RS	PMC2-50	Screw
PMC2-22	Rotor Spring	PMC2-51	Mixing Paddle

*Use only genuine Wallpro® parts on Wallpro® brand power tools. Using other brand parts on Wallpro® tools may affect the operation of the product and void warranty. Repairs undertaken by parties other than a registered repair centre may void the product warranty. Please contact Wallboard Tools Customer Service to locate your nearest repair centre.

WALLPRO® POWER SANDER PS-1000

Spare Parts Diagram

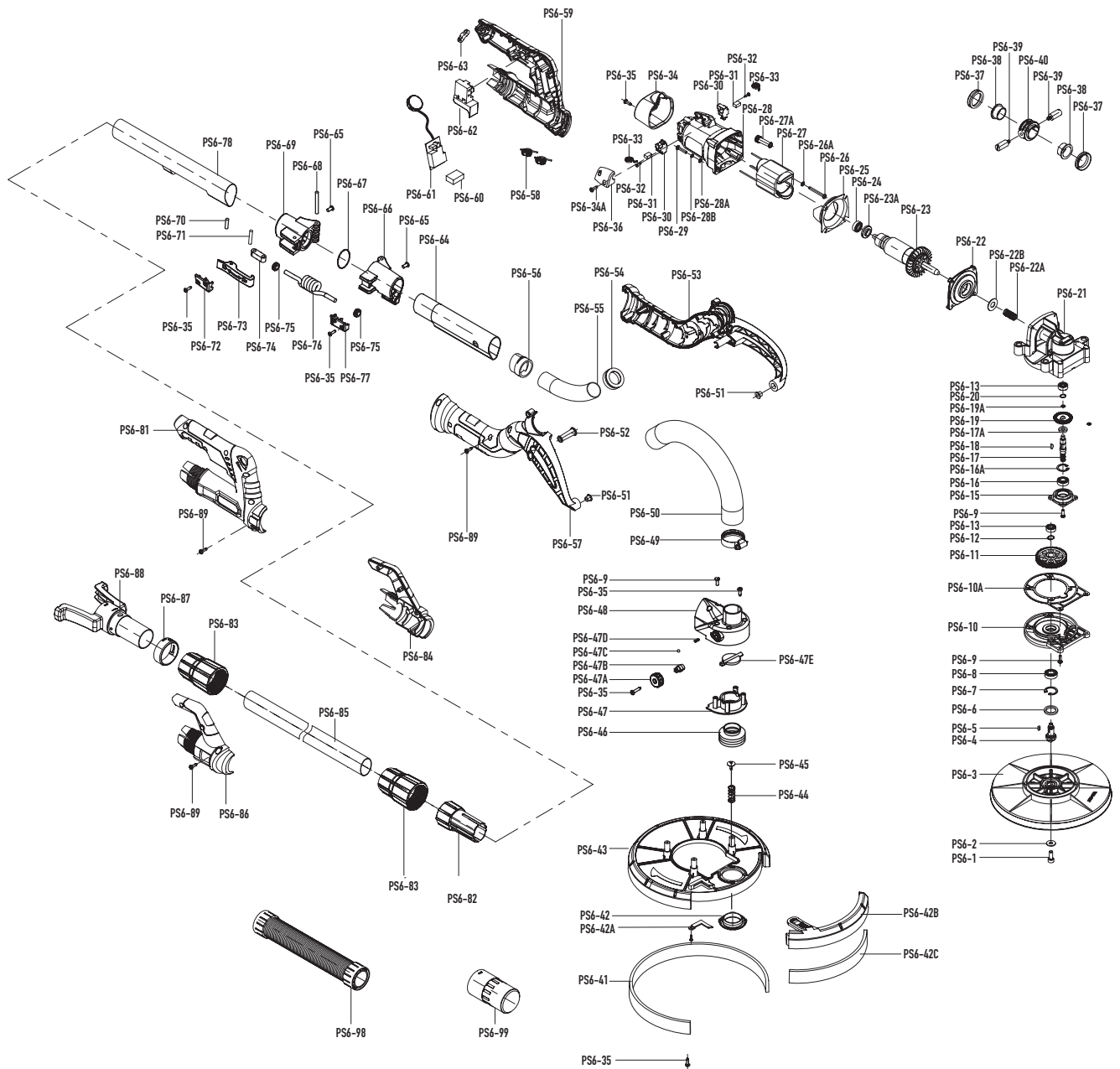


WALLPRO® POWER SANDER SPARE PARTS

Code	Description
PS-3	Vacuum extension hose with connector
PS-4	Hose connector female
PS-5	Screw M4x16
PS-6	Handle cover right
PS-7	Handle cover left
PS-8	Cable clip
PS-9	Screw M4x14
PS-10	Screw M4x25
PS-11	Speed control unit
PS-12	Wire connector
PS-13	Wire leader
PS-14	Wire leader (red wire)
PS-15	Wire leader (black wire)
PS-16A	Motor switch wallpro (TRANSMIT)
PS-17	Screw M4x10
PS-18	Carbon brush 2pkt
PS-19A	Carbon brush holder (2 holes) 1pc
PS-20	Motor housing
PS-20A	Motor housing (2 holes)
PS-21	Stator
PS-22	Stator screw M4x50
PS-23	Ball bearing
PS-24	Armature
PS-25	Gear plate
PS-26	Bushing
PS-27	Intermediate gear
PS-28	Intermediate gear pinion
PS-29	Bushing
PS-30	Output gear
PS-31	Screw M5x10
PS-32	Gear case
PS-33	Screw with washer M4x30
PS-34	Internal circlip S-10
PS-35	Ball bearing
PS-36	Woodruff key 3x10
PS-37	Spindle
PS-38A	Drive shaft 704mm
PS-41	Shaft connector socket
PS-42	Ball bearing for shaft
PS-43	Internal circlip S-12
PS-44	Screw M4x20
PS-45	Drive cover right
PS-46	Drive cover left
PS-47	Drive cable inner
PS-48	Drive shaft cover
PS-49	Holding pin 5x30
PS-51	Fork right
PS-52	Fork left
PS-53	Screw M4x8
PS-57	Screw M5
PS-58	Pivot frame
PS-59	Pivot connecting bracket
PS-60	Connecting spindle
PS-61	Ball bearing for head
PS-62	External circlip R-32
PS-63	Spring
PS-64	Vacuum hose
PS-65	Spring
PS-66	Plastic clip
PS-67	Sanding plate cover
PS-68	Internal circlip S-40
PS-69	Sanding plate base
PS-90	Shaft race and seal
PS-SMK	Switch Modification Kit for PS-1000
PSV-225	Power Sander double sided Hook & Loop foam pad

WALLPRO® EXTENDA SANDER PS-600

Spare Parts Diagram



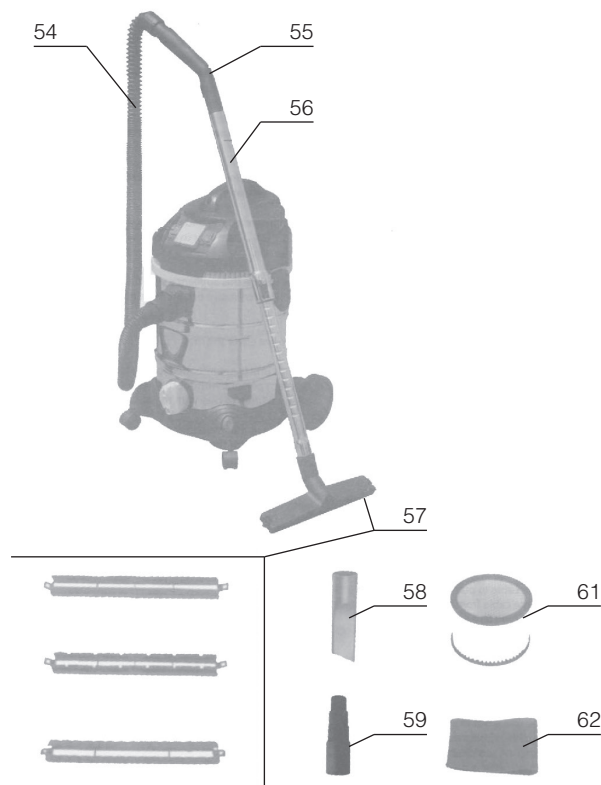
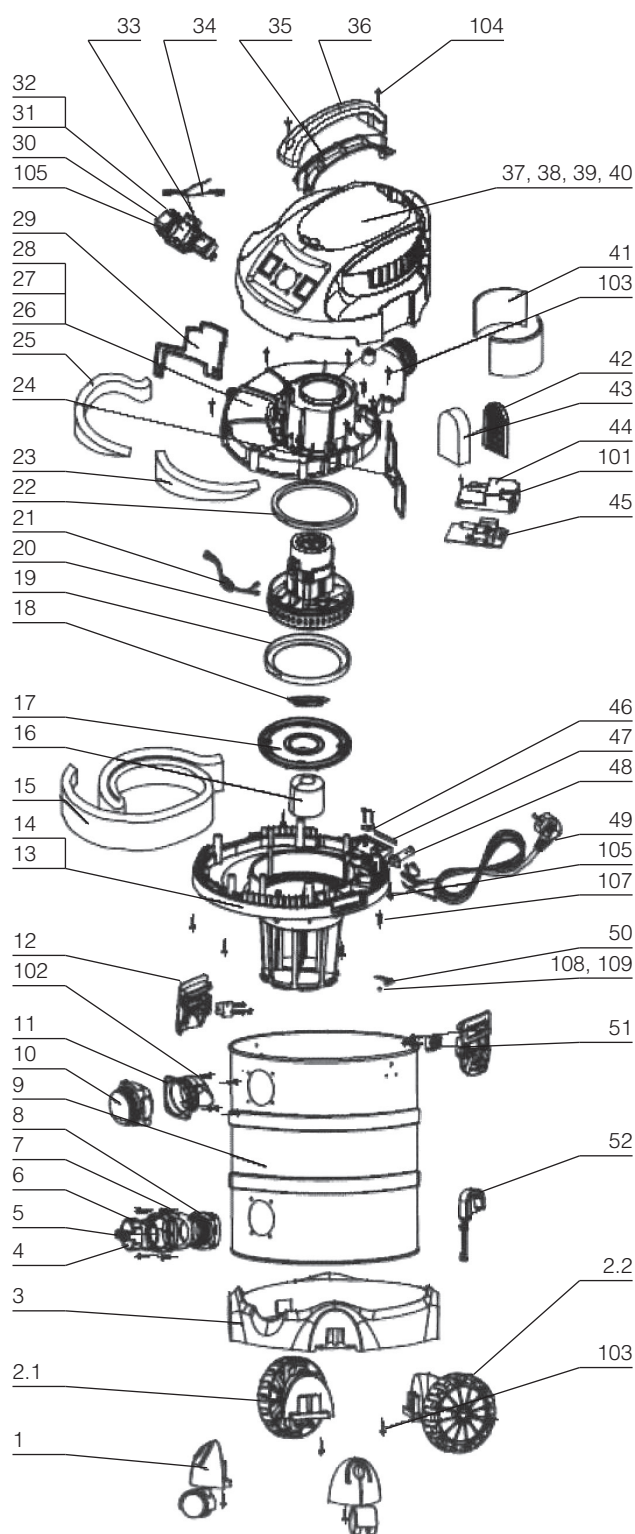
*Use only genuine Wallpro® parts on Wallpro® brand power tools. Using other brand parts on Wallpro® tools may affect the operation of the product and void warranty. Repairs undertaken by parties other than a registered repair centre may void the product warranty. Please contact Wallboard Tools Customer Service to locate your nearest repair centre.

■ WALLPRO® EXTENDA SANDER SPARE PARTS

Code	Description	Code	Description
PS6-1	Screw	PS6-42A	Press Plate (for sleeve)
PS6-2	Washer	PS6-42B	Side Cover
PS6-3	Hook & Loop Adaptor	PS6-42C	Bush Skirt (small section)
PS6-4	Output Shaft	PS6-43	Sanding Pad Cover
PS6-5	Flat Key	PS6-44	Compressed Spring
PS6-6	Oil Seal	PS6-45	Washer
PS6-7	Collar	PS6-46	Waved Sleeve
PS6-8	Ball Bearing	PS6-47	End Block (for dust collection cover)
PS6-9	Screw M4*12	PS6-47A	Suction Power Adjusting Ring
PS6-9A	Screw M4*10	PS6-47B	Connection Shaft
PS6-10	Bearing Cover (big)	PS6-47C	Steel Ball
PS6-10A	Paper Washer	PS6-47D	Steel Ball Spring
PS6-11	End Gear	PS6-47E	Flygate
PS6-12	Circlip	PS6-48	Dust Collection Cover
PS6-13	Ball Bearing	PS6-49	Hoop 25-38
PS6-15	Bearing Cover (small)	PS6-50	Hose 350
PS6-16	Ball Bearing	PS6-51	Cable Sleeve (Small)
PS6-16A	Circlip	PS6-52	Rubber Cover (Small)
PS6-17	Main drive Shaft	PS6-53	Handle Stand (Right)
PS6-17A	Washer	PS6-54	Connector $\varnothing 28$
PS6-18	Semi-circular Key	PS6-55	Soft Plastic Pipe $\varnothing 28$
PS6-19	Tapered Gear	PS6-56	Elliptical Connector
PS6-19A	Washer	PS6-57	Handle Stand (Left)
PS6-20	Collar	PS6-58	Main Handle (Left)
PS6-21	Gear Box	PS6-59	Electric Sensor
PS6-22	Middle Cover	PS6-60	Electric Capacity
PS6-22A	Spring (motor)	PS6-61	Electronic Speed Control Plate
PS6-22B	Wool Cap	PS6-62	Switch
PS6-22C	Washer	PS6-63	Press Plate (for cable sleeve)
PS6-23	Rotor	PS6-64	Main Tube (Front)
PS6-23A	Anti-dust Ring	PS6-65	Clinch Bolt $\varnothing 5$
PS6-24	Ball Bearing	PS6-66	Hinge Sleeve (Front)
PS6-25	Anti-wind Ring	PS6-67	Sealed Ring $\varnothing 1.2$
PS6-26	Screw	PS6-68	Pin $\varnothing 5 \times 45$
PS6-26A	Circular Button $\varnothing 4.2$	PS6-69	Hinge Sleeve (Back)
PS6-27	Stator	PS6-70	Pin $\varnothing 5 \times 16.8$
PS6-27A	Sleeve	PS6-71	Pin $\varnothing 5 \times 30$
PS6-28	Motor Housing	PS6-72	Press Plate Cable (Back)
PS6-28A	Flat Washer	PS6-73	Lock Wrench
PS6-28B	Flexible Washer	PS6-74	Brace
PS6-29	Screw	PS6-75	Sleeve #2
PS6-30	Brush Holder	PS6-76	Wire
PS6-31	Carbon Brush	PS6-77	Press Plate Cable (Front)
PS6-32	Screw	PS6-78	Main Tube (Back)
PS6-33	Coil Spring	PS6-81	Main Handle (Right)
PS6-34	Back Cover	PS6-82	Extension Tube Insert
PS6-34A	Screw	PS6-83	Screw Nut (Back)
PS6-35	Screw	PS6-84	Left Sub-Handle
PS6-36	Press Block (on motor housing)	PS6-85	Black Extension Tube (single access)
PS6-37	Horn Damping	PS6-86	Right Sub-Handle
PS6-38	Rubber Sleeve (Large)	PS6-87	Adjustable Ring
PS6-39	Screw Pin	PS6-88	Protection Connection Adapter
PS6-40	Flexible Sleeve	PS6-89	Screw ST3.9*16
PS6-41	Bush Skirt (full circle)	PS6-98	Sander Hose
PS6-41A	Bush Skirt (half circle)	PS6-99	Sander / Vacuum Hose Connector
PS6-42	Press plate (for sanding pad)		

WALLPRO® POWER VACUUM DE-30L

Spare Parts Diagram



**CARBON BRUSH
DE-30L-53**



**CLOTH DUST BAG
DE-30L-60**



**PAPER DUST BAG
DE-36-423**

■ WALLPRO® POWER VACUUM SPARE PARTS

Code	Description	Code	Description
DE-30L-1	Metal castor	DE-30L-36	Upper handle
DE-30L-2-1	Big wheel right	DE-30L-37	Upper cover
DE-30L-2-2	Big wheel left	DE-30L-38	Anti-noise foam
DE-30L-3	Tank/drum base	DE-30L-41	Anti-noise foam
DE-30L-4	Waterspout cover	DE-30L-42	Protection web
DE-30L-5	Seal ring	DE-30L-43	Sponge
DE-30L-6	Waterspout	DE-30L-44	Waterproof cover
DE-30L-7	Drain inlet sponge loop	DE-30L-45	PCB
DE-30L-8	Waterspout seat	DE-30L-46	Cord clamp
DE-30L-9	Tank/Drum 30L steel	DE-30L-48	Sleeve
DE-30L-10	Suction seat	DE-30L-49	Cable
DE-30L-11	Suction press board	DE-30L-50	Connector
DE-30L-12	Metal clips	DE-30L-51	Power cable and clip seat
DE-30L-13	Lower cover	DE-30L-52	Cord hook
DE-30L-14	Sponge loop	DE-30L-53	Carbon brush
DE-30L-15	Anti-noise Foam	DE-30L-54	Suction
DE-30L-16	Floater cup	DE-30L-55	Air adjustable elbow
DE-30L-17	Tray	DE-30L-56	Telescopic tube
DE-30L-18	Plastic fence	DE-30L-57	Brush nozzle set
DE-30L-19	Seal ring	DE-30L-58	Crevice tool
DE-30L-20	Motor	DE-30L-59	Hose adaptor
DE-30L-21	Inductor	DE-30L-60	Fabric dust bag
DE-30L-22	Seal Ring	DE-30L-61	Paper filter cartridge
DE-30L-23	Anti-noise foam	DE-30L-62	Foam filter
DE-30L-24	Air block board	DE-30L-101	Screw ST2.9x12
DE-30L-25	Anti-noise foam	DE-30L-102	Screw ST4.2x14
DE-30L-28	Air/outlet, damping bar, seal	DE-30L-103	Screw ST4.2x16
DE-30L-29	Air block board	DE-30L-104	Screw ST4.2x16
DE-30L-30	Switch	DE-30L-105	Screw ST4.2x14
DE-30L-31	Synchro socket	DE-30L-106	Screw ST3.9x8
DE-30L-32	Socket press board	DE-30L-107	Screw M4x10
DE-30L-33	Switch	DE-30L-108	Nut M4
DE-30L-34	Lead	DE-36-423	Paper Vacuum Bag
DE-30L-35	Lower handle		



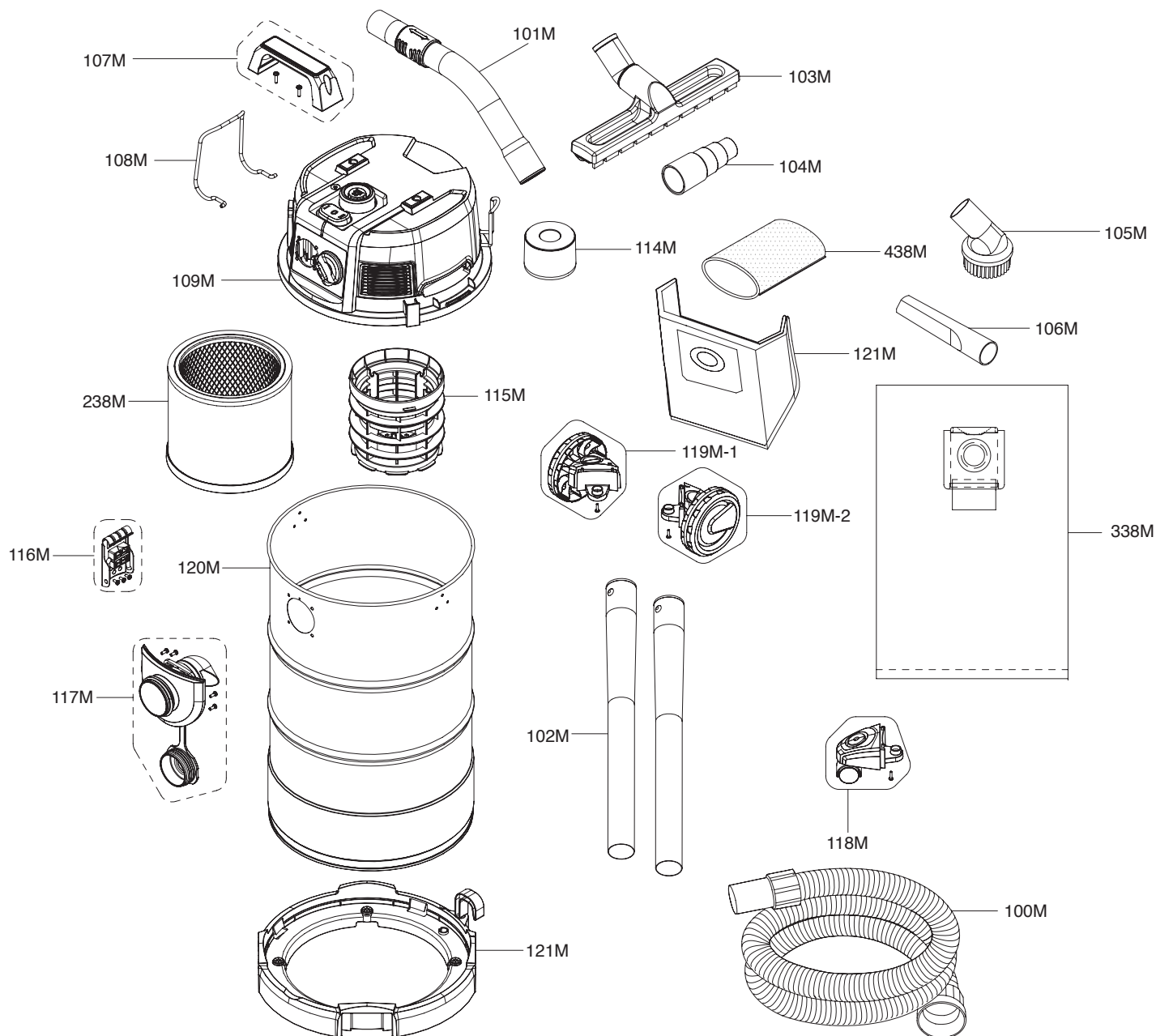
■ Automatically switches on and shuts off with Power Sander



■ Includes reusable cloth bag

WALLPRO® M CLASS DUST EXTRACTOR DE-38M

Spare Parts Diagram



WALLPRO® COLLATED SCREWGUN SPARE PARTS

Code	Description	Code	Description
DE-100M	Spare Hose 3 metre Complete Suit DE-38M Wallpro	DE-115M	Filter Basket Wallpro
DE-101M	Air Control Elbow Wallpro	DE-116M	Metal Clips Wallpro
DE-102M	Extension Wand Wallpro	DE-117M	Suction Seat Wallpro
DE-103M	Floor Nozzle Assembly Wallpro	DE-118M	Metal Castor Wallpro
DE-104M	Hose adaptor Wallpro	DE-119M-1	Big Wheel Right Wallpro
DE-105M	Round Brush Wallpro	DE-119M-2	Big Wheel Left Wallpro
DE-106M	Crevice Tool Wallpro	DE-120M	Tank/Drum 38L Wallpro
DE-107M	Handle Assembly Wallpro	DE-121M	Tank/Drum Base Wallpro
DE-108M	Hose Hanger Wallpro	DE-122M	Hose Connector for PS-1000 Wallpro
DE-109M	Power Head Assembly Wallpro	DE-123M	Hose Connector for PS-600 Wallpro
DE-110M	Switch Wallpro	DE-124M	Power Regulator Wallpro
DE-111M	Socket Assembly Wallpro	DE-138M	Fine Filter Bag Class M Pack 5 Wallpro
DE-112M	Motor Assembly Wallpro	DE-238M	Cartridge Filter Class M Wallpro
DE-113M	PCB Board Assembly Wallpro	DE-338M	Plastic Disposal Bag Class M Pack 5 Wallpro
DE-114M	Water Seal Cup Assembly Wallpro	DE-438M	Foam Filter Class M Wallpro